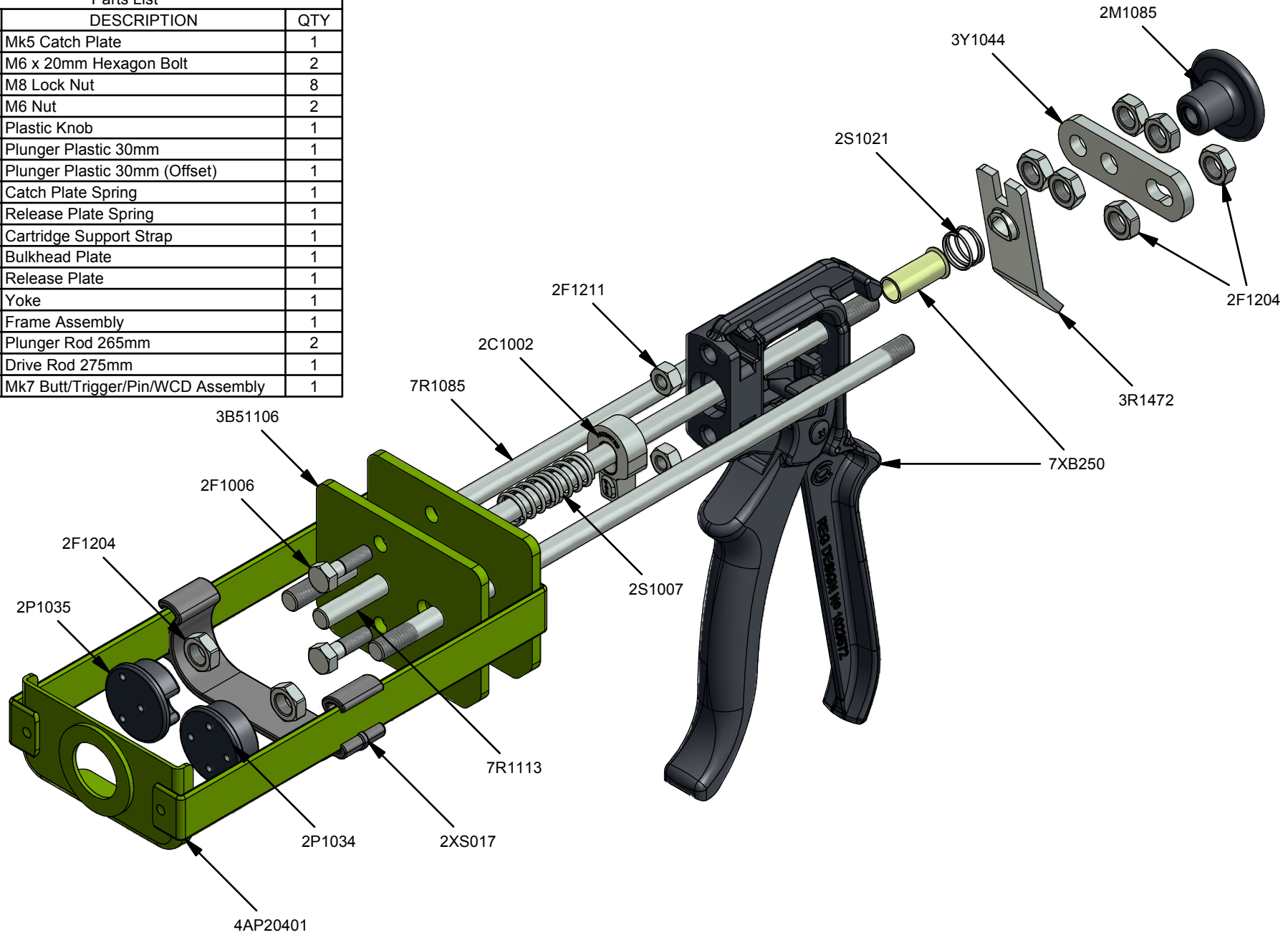


| Parts List |                                   |     |
|------------|-----------------------------------|-----|
| STOCK No   | DESCRIPTION                       | QTY |
| 2C1002     | Mk5 Catch Plate                   | 1   |
| 2F1006     | M6 x 20mm Hexagon Bolt            | 2   |
| 2F1204     | M8 Lock Nut                       | 8   |
| 2F1211     | M6 Nut                            | 2   |
| 2M1085     | Plastic Knob                      | 1   |
| 2P1034     | Plunger Plastic 30mm              | 1   |
| 2P1035     | Plunger Plastic 30mm (Offset)     | 1   |
| 2S1007     | Catch Plate Spring                | 1   |
| 2S1021     | Release Plate Spring              | 1   |
| 2XS017     | Cartridge Support Strap           | 1   |
| 3B51106    | Bulkhead Plate                    | 1   |
| 3R1472     | Release Plate                     | 1   |
| 3Y1044     | Yoke                              | 1   |
| 4AP20401   | Frame Assembly                    | 1   |
| 7R1085     | Plunger Rod 265mm                 | 2   |
| 7R1113     | Drive Rod 275mm                   | 1   |
| 7XB250     | Mk7 Butt/Trigger/Pin/WCD Assembly | 1   |



Illbruck RBM 100 (AA281/AP8110)



www.pccox.co.uk  
 sales@pccox.co.uk  
 TEL:44(0)1635 264500

|     |            |
|-----|------------|
| REV | DATE       |
| A   | 22/04/2016 |