

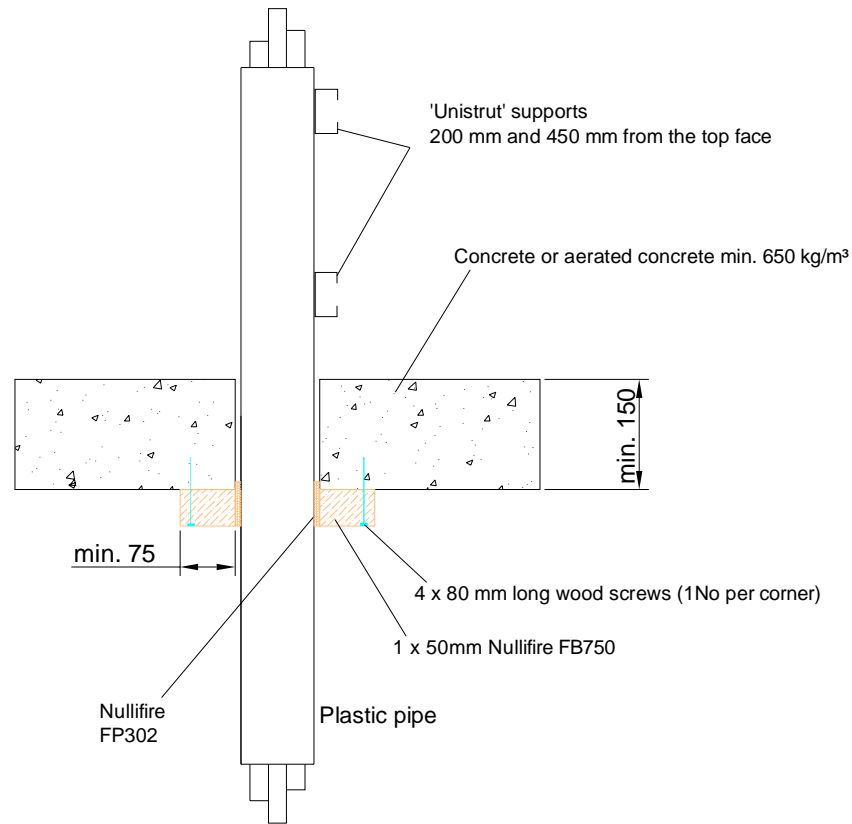
Nullifire Technical Drawings

FP302 Intumescent Strap and FP160 Sleeve Electrical Service Penetrations Through Floors

Table of Contents

- ▶ HDPE conduit and 8No twin and earth cables penetrating through a rigid floor construction (FP302/FP160-SL1)
- ▶ ABS pipe containing cables penetrating through a rigid floor construction (FP302/FP160-SL2)

**Nullifire
FP302/FP160-SL1**



APPROVAL:

ETA 17/0391

Tested cable types and max Ø of the cables

Look at the table in this detail

Nullifire FP302/FP160-SL1
Fire class; Look at the table in this detail

Additional information ETA-approval/ Annex A.

Technical installation instructions need to be followed installing the products.

The max. batt seal opening size
Ø70 mm

Services	Seal specification	Fire class
Min. 1150 mm long HDPE conduit Ø55 mm x 3.2 mm wall thickness, containing 8No twin and earth cables	Nullifire FP302 60 mm wide x 4 mm thick recessed into batt and overlapping into floor	EI240 U/U

U/C = (Uncapped/Capped)

THE CONTENTS OF THE DRAWING

HDPE conduit and 8No twin and earth cables
penetrating through a rigid floor construction

DESIGNER

REV

DATE

28.9.2018

SCALE

Not scaled

DETAIL MARK

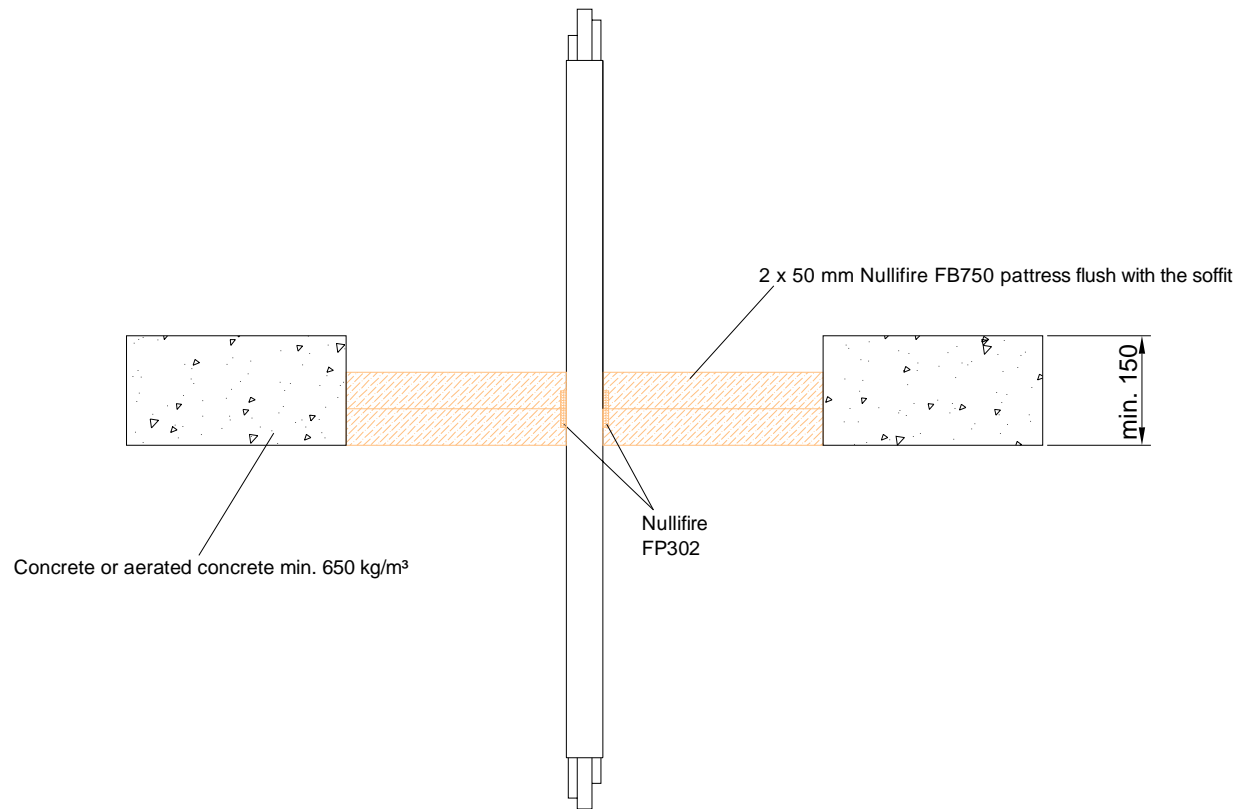
FP302/FP160-SL1

Nullifire has provided this specification on the basis of the data and information given to Nullifire by the customer, the Nullifire product information and level of technical knowledge this specification relates to is expected to provide the level of fire performance, should the proposed detail be subjected to the standardised fire resistance performance against which the judgment has been made.

- The accuracy of this specification relies on the following:
1. Only Nullifire products as defined in the specification are used.
 2. The specific products are installed by a competent person, utilising Nullifire installation manual and data sheets noting limitations.
 3. The proposed specification has been checked by the user.
 4. For Details on CE Marked Products Refer to the CE Technical Data Sheets.

SEAL OF APPROVAL MUST BE VERIFIED IF THIS DOCUMENT HAS BEEN MODIFIED

**Nullifire
FP302/FP160-SL2**



APPROVAL:

ETA 17/0391

Tested cable types and max Ø of the cables

Look at the table in this detail

Nullifire FP302/FP160-SL2
Fire class; Look at the table in this detail

Additional information ETA-approval/ Annex A.

Technical installation instructions need to be followed installing the products.

The max. batt seal size of 400 x 400 mm

Services	Seal specification	Fire class
ABS Ø55 mm x 3.2 mm wall thickness x 300 mm long conduit containing 10 no. fire alarm cables and 5No. twin and earth cables	Nullifire FP302 1No. layer 60 mm wide x 4 mm thick at mid-depth	E160 U/U

U/C = (Uncapped/Capped)

THE CONTENTS OF THE DRAWING

ABS pipe containing cables penetrating through a rigid floor construction

DESIGNER

REV

DATE

28.9.2018

SCALE

Not scaled

DETAIL MARK

FP302/FP160-SL2

Nullifire has provided this specification on the basis of the data and information given to Nullifire by the customer, the Nullifire product information and level of technical knowledge this specification relates to is expected to provide the level of fire performance, should the proposed detail be subjected to the standardised fire resistance performance against which the judgment has been made.

The accuracy of this specification relies on the following:

1. Only Nullifire products as defined in the specification are used.
2. The specific products are installed by a competent person, utilising Nullifire installation manual and data sheets noting limitations.
3. The proposed specification has been checked by the user.
4. For Details on CE Marked Products Refer to the CE Technical Data Sheets.

SEAL OF APPROVAL MUST BE VERIFIED IF THIS DOCUMENT HAS BEEN MODIFIED

Nullifire