

Nullifire Technical Drawings

FS703 Fire Rated Silicone Linear Joints on Walls and Floors

Table of Contents

- ▶ Linear joint or gap seal, horizontally orientated with sealant to both faces, rigid wall constructions (FS703-SAS10)
- ▶ Linear joint or gap seal, horizontally orientated with sealant to the unexposed in a rigid floor (FS703-SAL10)

**Nullifire
FS703 -SAS10
Rigid Wall Constructions**

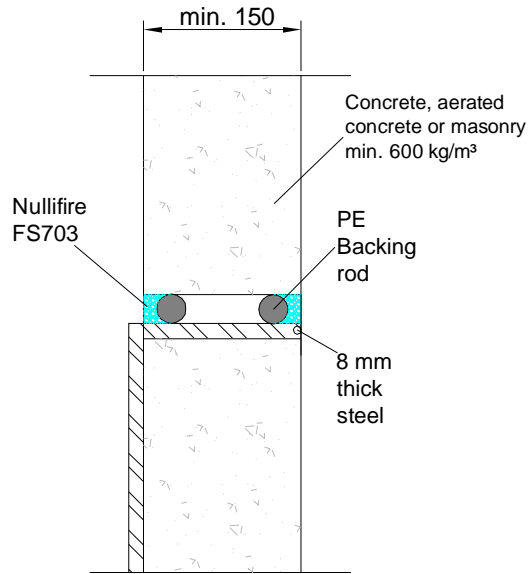
APPROVAL:

ETA 14/0449

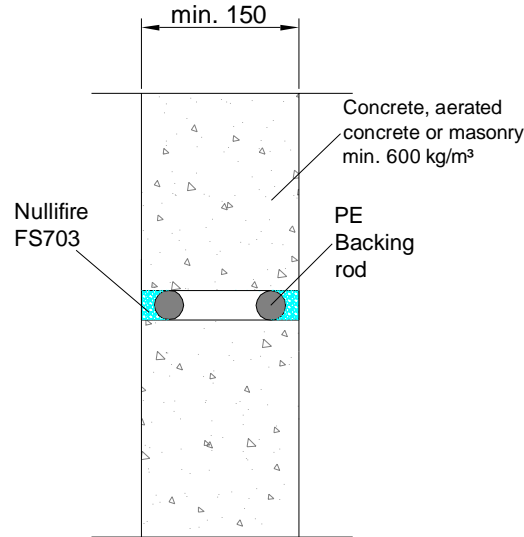
FS703-SAS10
Fire class; Look at the table
in this detail

Additional information
ETA-approval / Annex C

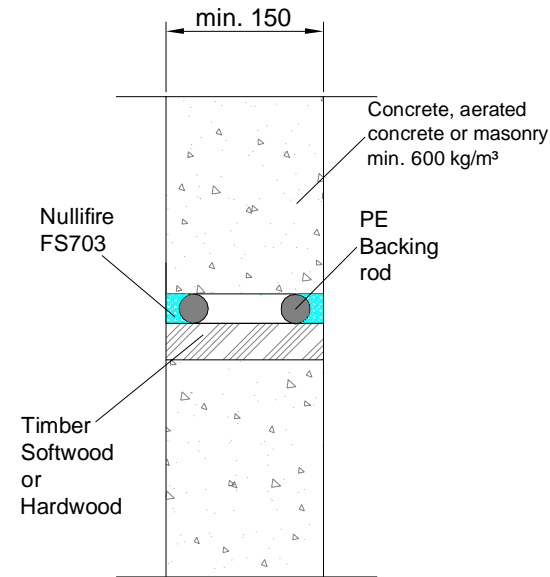
Concrete - Steel



Concrete - Concrete



Concrete - Timber



Technical installation
instructions need to be followed
installing the products.

Nullifire FS703 Silicone Sealant Linear Joint Seals in Walls 150 mm thick

Wall thickness min. 150 mm	Joint width	Fire class
Nullifire FS703 Silicone (width:depth 2:1) concrete-steel	12-29 mm 31-50 mm	E160 E190
Nullifire FS703 Silicone (width:depth 2:1) concrete-concrete	12-50 mm	EI240
Nullifire FS703 Silicone (width:depth 2:1) concrete-timber	12-30 mm	EI120

THE CONTENTS OF THE DRAWING

Linear joint or gap seal, horizontally orientated with
sealant to both faces, rigid wall constructions

DATE

30.10.2018

SCALE

Not scaled

DESIGNER

REV

DETAIL MARK

FS703-SAS10

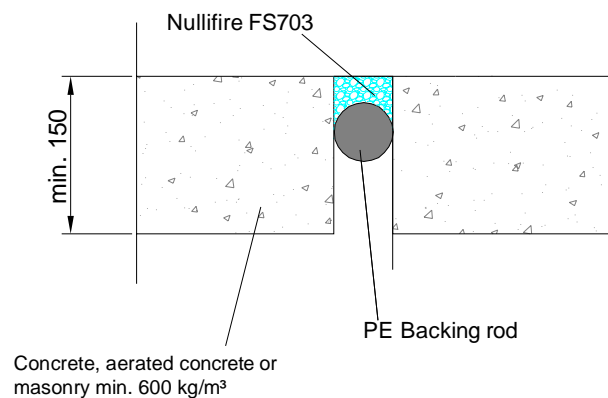
Nullifire has provided this specification on the basis of the data and information given to Nullifire by the customer, the Nullifire product information and level of technical knowledge this specification relates to is expected to provide the level of fire performance, should the proposed detail be subjected to the standardised fire resistance performance against which the judgment has been made.

- The accuracy of this specification relies on the following:
1. Only Nullifire products as defined in the specification are used.
 2. The specific products are installed by a competent person, utilising Nullifire installation manual and data sheets noting limitations.
 3. The proposed specification has been checked by the user.
 4. For Details on CE Marked Products Refer to the CE Technical Data Sheets.

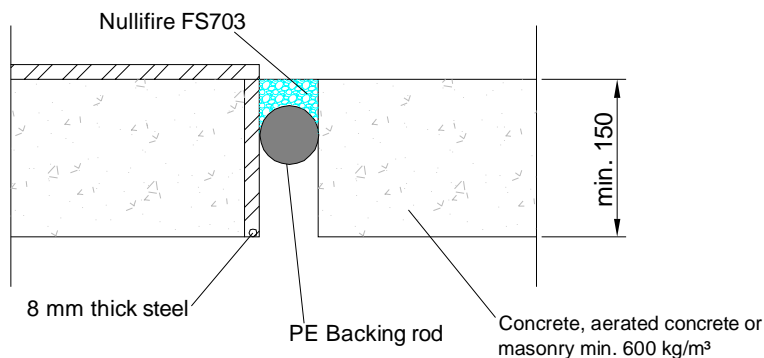
SEAL OF APPROVAL MUST BE VERIFIED IF THIS DOCUMENT HAS BEEN MODIFIED

Nullifire
FS703 -SAL10
Rigid Floor Constructions

Concrete - Concrete



Concrete - Steel



APPROVAL:

ETA 14/0449

FS703-SAL10

Fire class; Look at the table in this detail

Additional information
 ETA-approval / Annex C

Technical installation instructions need to be followed installing the products.

Nullifire FS703 Silicone Sealant Linear Joint Seals in Rigid Floors 150 mm thick

Floor thickness min. 150 mm	Joint width	Fire class
Nullifire FS703 Silicone (width:depth 2:1) concrete-concrete	12-30 mm	EI180
	31-50 mm	EI90
Nullifire FS703 Silicone (width:depth 2:1) concrete-steel	12-30 mm	EI45
	31-50 mm	EI30

THE CONTENTS OF THE DRAWING

Linear joint or gap seal, horizontally orientated with sealant to the unexposed in a rigid floor

DESIGNER

REV

DATE

30.10.2018

SCALE

Not scaled

DETAIL MARK

FS703-SAL10

Nullifire has provided this specification on the basis of the data and information given to Nullifire by the customer, the Nullifire product information and level of technical knowledge this specification relates to is expected to provide the level of fire performance, should the proposed detail be subjected to the standardised fire resistance performance against which the judgment has been made.

- The accuracy of this specification relies on the following:
1. Only Nullifire products as defined in the specification are used.
 2. The specific products are installed by a competent person, utilising Nullifire installation manual and data sheets noting limitations.
 3. The proposed specification has been checked by the user.
 4. For Details on CE Marked Products Refer to the CE Technical Data Sheets.

SEAL OF APPROVAL MUST BE VERIFIED IF THIS DOCUMENT HAS BEEN MODIFIED